

GAMME DI PRODOTTO
RANGE OF PRODUCTS

Riduttori a vite senza fine / Worm gearboxes
Riduttori a ingranaggi / Helical and bevel helical gearboxes
Riduttori epicicloidali di precisione / Precision planetary gearboxes
Riduttori speciali / Special gearboxes
Variatori di velocità / Mechanical variators
Motion & Control
www.tvttradepower.it

Öndãà\ [d !\) Æ
U&@^&^)*^dãà^Æ
U(ã) !ãã^dãà^Æ
S^*^!|ãã^dãà^Æ
U(ã) !ãã-ã&@^dãà^Æ
S^*^!^ã) !ãã^dãà^Æ
•]ã|ã(^ã|ãã^ã) *^dãà^Æ
Yã|ã^dãà^Æ
Ö^ã@d|{ { [d !\) Æ
Ö^ã&@d|{ { [d !\) Æãã|ã) ãã|{ [d !\) Æ
U^!ã|{ [d !\) ÆU^!ã|{ ^*^!ã
ã^ã) : { |ã&@^Æ



POWER TRANSMISSION SOLUTIONS
▶ **KOMPAKTES SCHNECKENGETRIEBE**
COMPACT COMBINED WORM GEARBOX



VÜÖF ÖÖÖ^dãà^Ö{ àPÆU&c^)*^dã à^Æ Æã|ã JH^ãã@
V^!ã|{ ì GFÈJ| Jì ÈFÈãã^Æ ì GFÈJ| Jì ÈFÈã { Ö dã ^&È^dãà^Æ^
Æã ^&È^dãà^Æ^

د د د Æã ^&È^dãà^Æ^

Eigenschaften

- Die Baureihe CI 3050F ist ein Doppel-Schneckengetriebe in einem kompakten und einfach zu reinigenden Monoblock-Gehäuse
- Die abtriebsseitige Hohlwelle und der Flansch ermöglichen eine einfache Applikation.
- Das Aluminiumgehäuse ist grau lackiert in RAL9006.
- Mit synthetischem Öl gefüllt, für Lebensdauerschmierung
- Motorflansch ausgeführt für IEC 63 B14

Characteristics

- The type CI 3050F is a combined worm gearbox with double worm shaft and single one piece body offering reduced space requirement. It is mostly recommended when an easy cleaning of the gearbox is required.
- The output flange and the output hollow shaft offer an easy application.
- The aluminium housing is painted grey RAL 9006.
- The gearbox is supplied complete with synthetic lubricant.
- Only one motor coupling available is IEC 63 B14.

Typenbezeichnung

Designation

CI	3050	F	750/1	63 B14	B3	ML1
			750/1			H24
			1200/1			H25

Einheiten

Measurement unit

FS'	Servicefaktor
i_n	Reduction ratio
n_1 [min ⁻¹]	Input rpm
n_2 [min ⁻¹]	Output rpm
U	Gearbox capacity
P_1	Gear motor power
Üá	Dynamic efficiency
T_{2M}	Gear motor torque
T_2	Gearbox torque
T_{2S}	Torque max

Gearbox service factor
Reduction ratio
Input rpm
Output rpm
Gearbox capacity
Gear motor power
Dynamic efficiency
Gear motor torque
Gearbox torque
Torque max

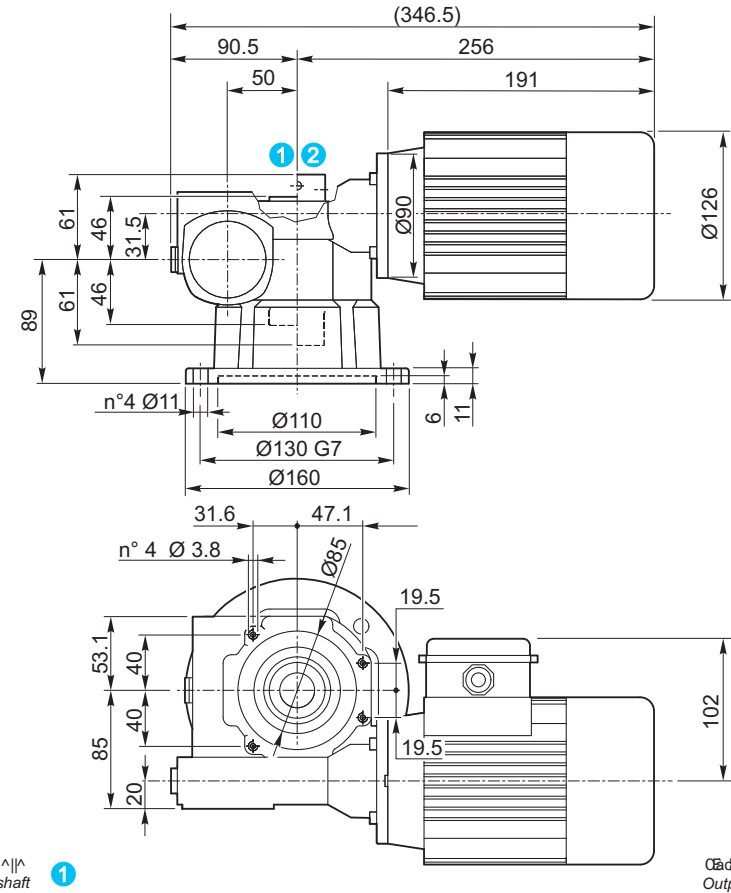
Technische Daten

Technical data

$n_1 = 1400$	i_n	n_2 [min ⁻¹]	T_2 [Nm]	P_1 [kW]	FS'	Input -IEC	T_{2M} [Nm]	P [kW]	Rd	T_{2S} [Nm]
CI3050	750	1.87	161	0.13	1.5	63 B14	250	0.18	0.28	500
			258	0.18	1					
			229	0.13	1.1					
	1200	1.17	368	0.18	0.7			0.14	0.24	

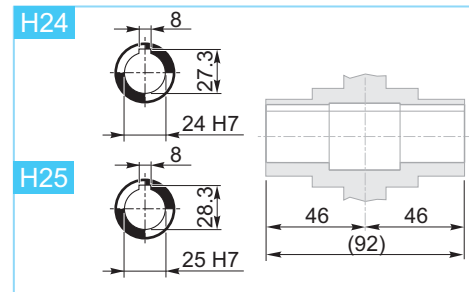
Dimension

Dimensions

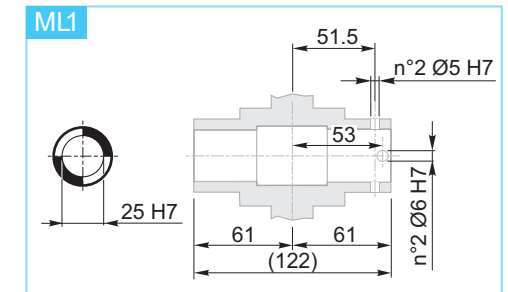


Output hollow shaft 1

Output hollow shaft 2



Position Klemmkasten



Terminal board position

